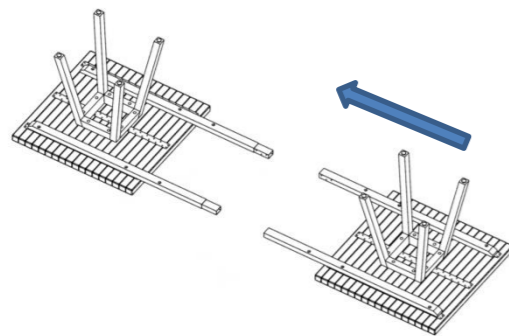


MANUAL 2

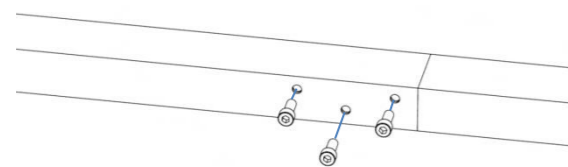
Assembly instructions
 VISAVIS Table 300x99cm

01753

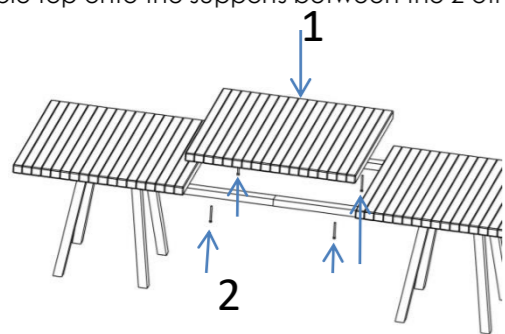
7 Slide the supports into each other in order to put the 2 tables together.



8 Take 3 bolts C and screw them into the holes to connect the supports as shown in the picture below. Screw them in alternating way. Repeat this step for the other side of the table.



9 Turn the table carefully upside up. Place the third table top onto the supports between the 2 other table tops and screw it with 4 bolts B.

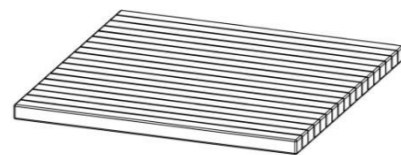
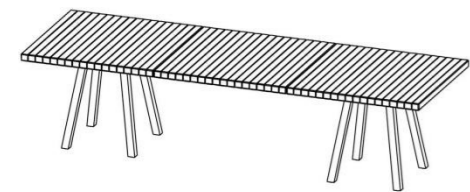


Tribù nv
 Oude Heidestraat 72
 3740 Bilzen
 BELGIUM

www.tribu.com
info@tribu.com

TRIBÙ
 The art of leisure

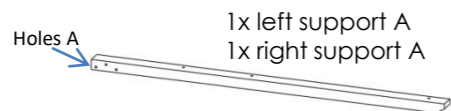
Materials



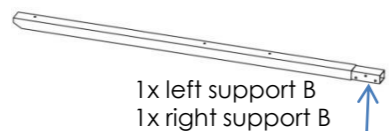
3x Table top



4x leg



1x left support A
1x right support A



1x left support B
1x right support B

Holes A



4x support for leg



16x bolt A (80mm)



16x washer



16x dowel



12x bolt B (80mm)



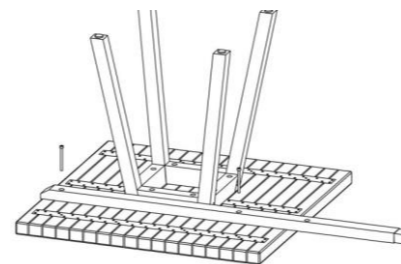
6x bolt C (25mm)

Assembly Instructions

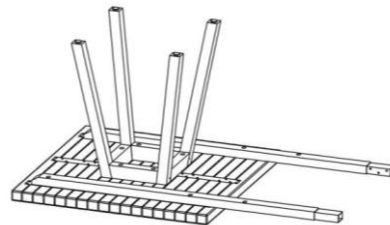
Make sure you assembled all the single tables as mentioned in **manual 1**

1 Assemble one set legs on one table top (use 8 bolts A + 8 washers) as described in the assembly instruction of the Vis a Vis Table 1m (01773).

2 Leave the table upside down and take one left support B. Assemble the support with 2 bolts b onto the table top as shown in the picture below. Mind that the 3 holes A of the support are directed to the inside of the table.

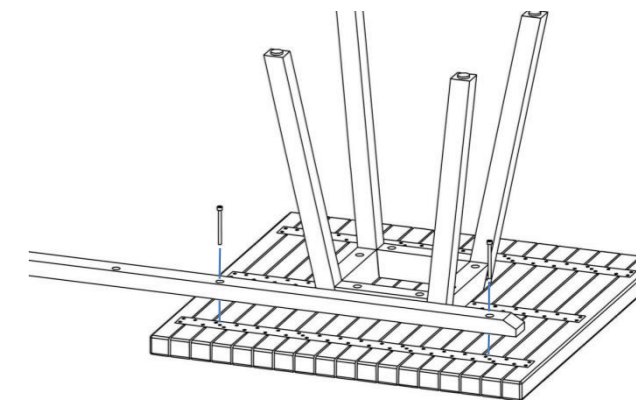


3 Leave the table upside down and take one left support A. Assemble the support with 2 bolts b onto the table top as shown in the picture below. Mind that the 3 holes A of the support are directed to the inside of the table.



4 Assemble the other set legs on another table top (use 8 bolts A + 8 washers) as described in the assembly instruction of the Vis a Vis Table 1m (01773).

5 Leave the table upside down and take one right support B. Assemble the support with 2 bolts b onto the table top as shown in the picture below. Mind that the 3 holes A of the support are directed to the inside of the table.



6 Leave the table upside down and take one right support A. Assemble the support with 2 bolts b onto the table top as shown in the picture below. Mind that the 3 holes A of the support are directed to the inside of the table.

