

6 Once assembled turn the in the correct position.



VAVDT01 – 11/03/2014

MANUAL 1

Assembly instructions
VISA VIS Table 99x99cm

01773

Tribù nv
Oude Heidestraat 72
3740 Bilzen
BELGIUM

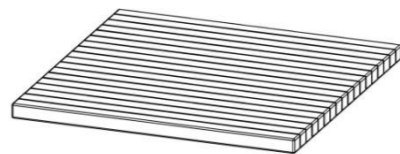
www.tribu.com
info@tribu.com

TRIBÙ
The art of leisure

Materials



1x Table top



2x leg



8x dowel



2x support for leg



8x bolt (80mm)

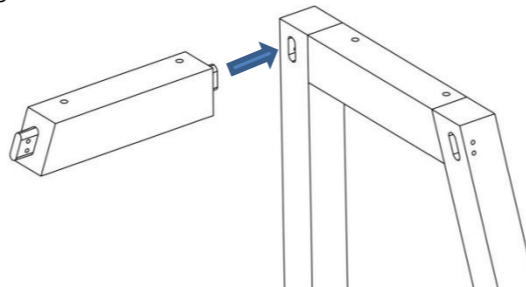


8x washer

Assembly Instructions

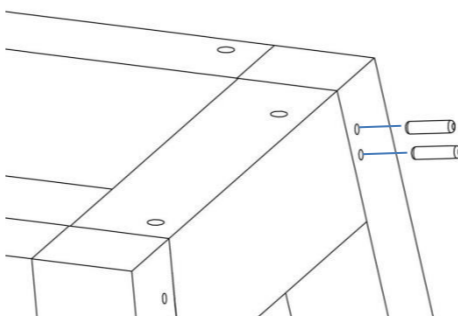
Make sure you assemble the tables as mentioned in this manual before you proceed to **manual 2**

- 1 Take one leg and one support for leg and slide the support into the leg as shown in the picture below.

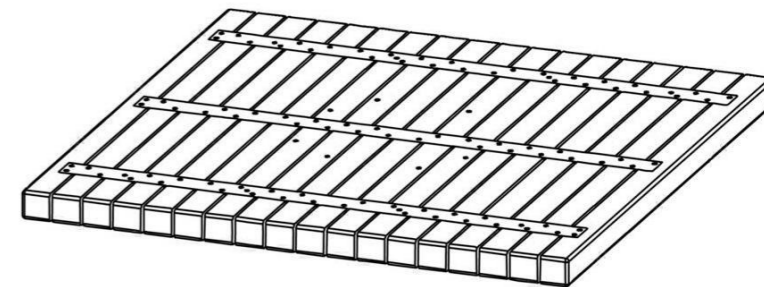


- 2 Repeat step one first for the other support and then for the other leg.

- 3 Take the 8 dowels and place them into the holes as shown in the picture below.



- 4 Put the table top upside down. Place a cloth under the table top in order to protect the surface.



- 5 Take the pre-assembled legs and put them upside down on the table top. Take 8 bolts + 8 washers and screw the legs onto the table top in alternating way.

