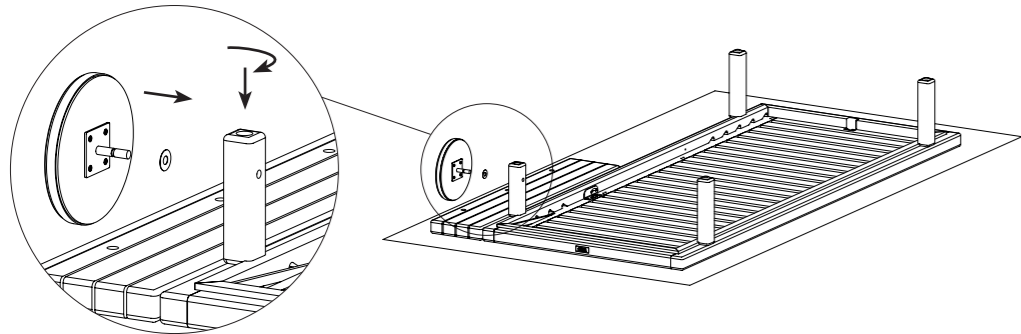
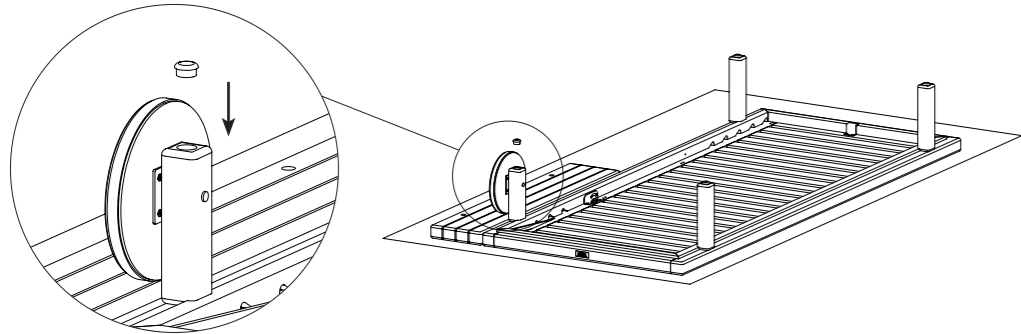


5 Insert 1 x wheel and 1 x washer. Fix the leg with the small screw in the bearing.



6 Insert the glider into the hole in the bottom of the leg.
Repeat step 1 till 6 for the opposite leg.



ASSEMBLY INSTRUCTIONS

VIS A VIS LOUNGER WHEELS

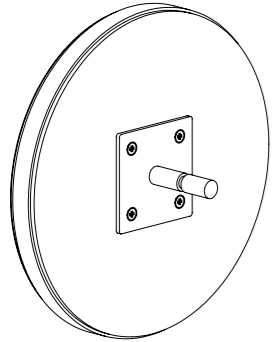
01741

Tribù nv
Langendijkstraat 5a
3690 Zutendaal
BELGIUM

www.tribu.com
info@tribu.com

TRIBÙ
The art of leisure

CONTENT



2 x
Wheel



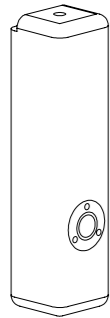
2 x
Threaded rod



2 x
Metal washer



2 x
Spring washer



2 x
Short leg



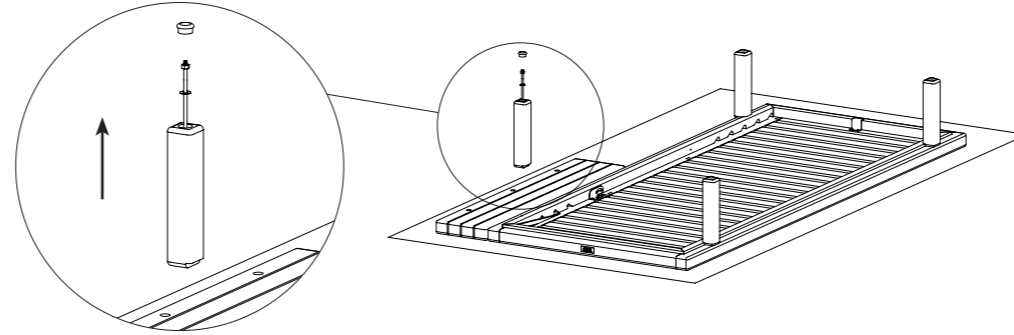
2 x
Plastic washer



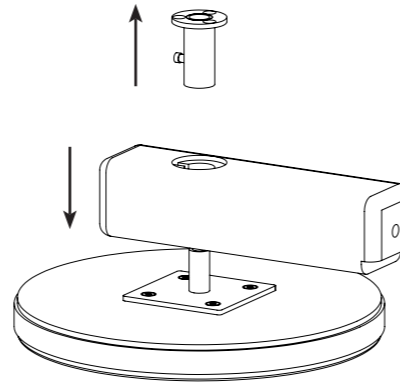
6 x
Wood screw

ASSEMBLY INSTRUCTIONS

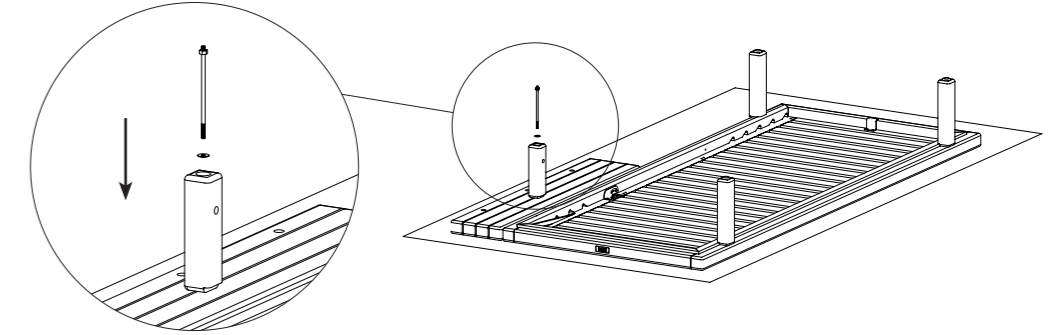
- 1** Put the lounger upside down on a protective surface. Remove the glider from the leg closest to the side table. Now unscrew the leg with a box spanner.



- 2** Remove the bearing from the short leg. If the bearing is stuck, you can use a wheel to force it out.



- 3** Attach the short leg to the lounger using 1 x metal washer and 1 threaded rod. Use a box spanner to fix the short leg.



- 4** Insert the bearing and use 3 x wood screw to fix it. Then unscrew the small screw in the bearing using a crosshead screwdriver.

