

Assembly instructions

Tosca Low Tables

05381-10 // 05386-10

Tribù nv
Langendijkstraat 5a
3690 Zutendaal
BELGIUM

www.tribu.com
info@tribu.com

TRIBÙ
The art of leisure

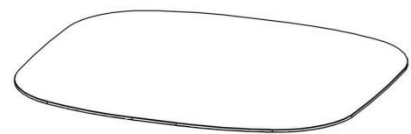
Materials



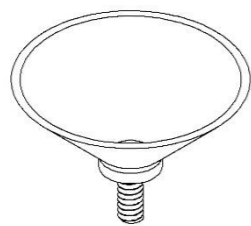
05381-10



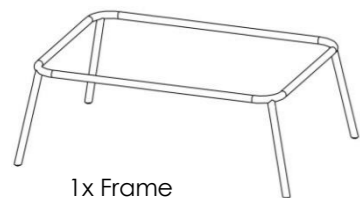
05386-10



1x Table top



4 x Suction cup

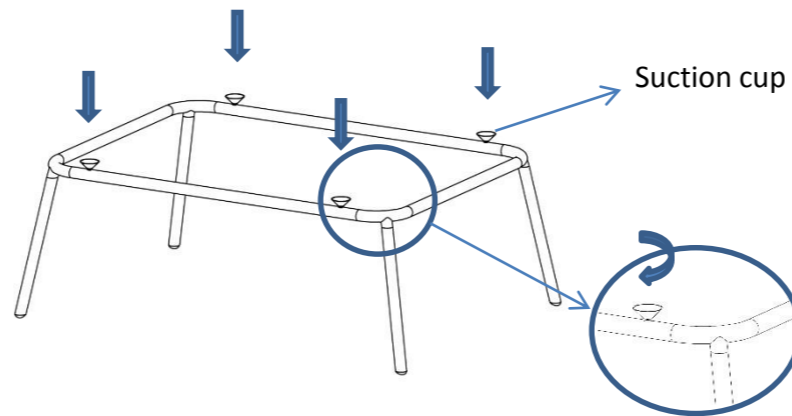


1x Frame

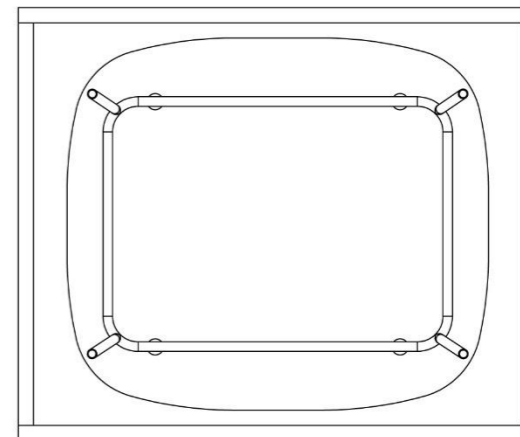
Assembly Instructions

1 Open the box of the table top. Degrease the glass with Tribù Glass & Ceramic Cleaner (D9938) and wipe the surface until it is dry. Leave the table top in the box.

2 Fasten the suction cups onto the long side of the frame as shown in the picture below. The frame has threaded holes in which you can fasten the threaded suction cup.



4 Put the table frame upside down onto the table top. The table top is marked where the suction cups should be positioned.



5 When taking the table out of the box, please hold the frame and the table top.