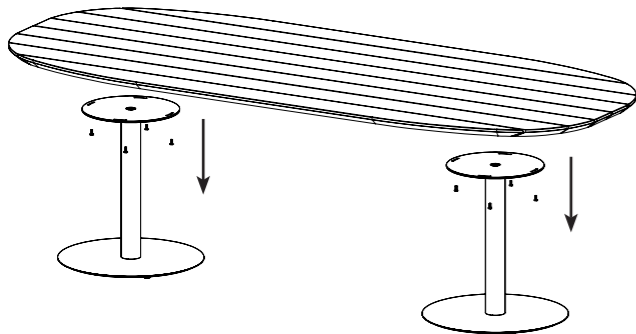
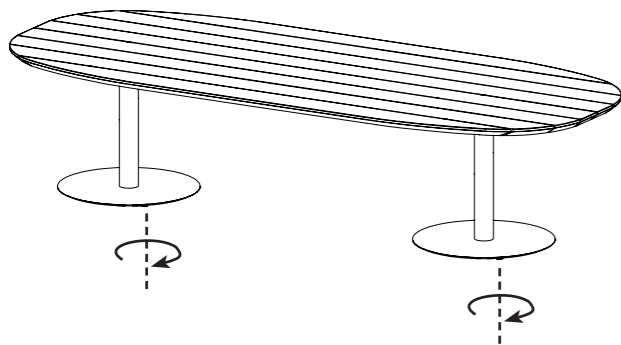


- 5** Put the tabletop on top of the assembly and fix with 4 x small washer and 4 x screw.  
Use an Allen key and apply normal force.



- 6** You can use the adjustable feet to level the table.



## ASSEMBLY INSTRUCTIONS

### T-Table

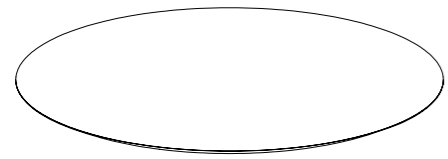
D2175-x-T / D2176-x-T  
D2177-x-T / D2178-x-T  
D2179-x-T / D2180-x-T

Tribù nv  
Oude Heidestraat 72  
3740 Bilzen  
BELGIUM

[www.tribu.com](http://www.tribu.com)  
[info@tribu.com](mailto:info@tribu.com)

**TRIBÙ**  
The art of leisure

## CONTENT



1 x  
Tabletop round/square



1 x  
Base



1 x  
Leg



1 x  
Threaded rod



1 x  
Top mount



1 x  
Nut



2 x  
Large washer



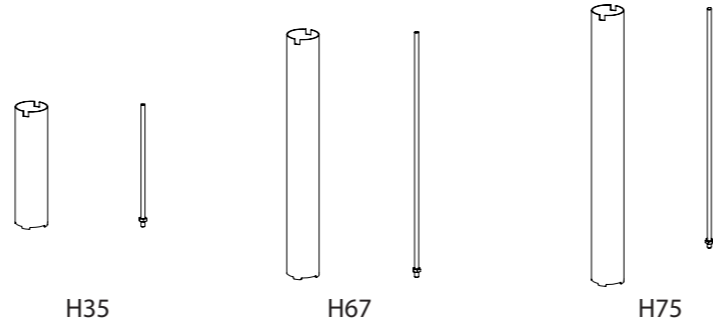
4x washer



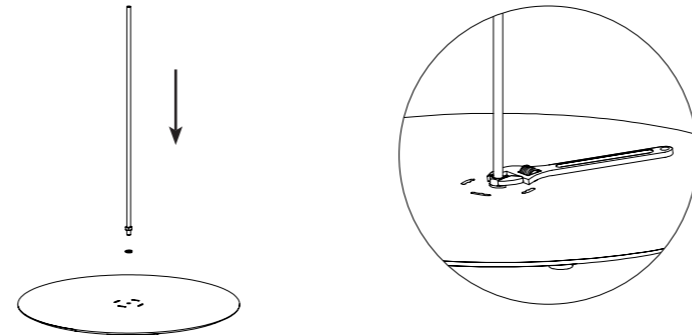
4 x

## ASSEMBLY INSTRUCTIONS

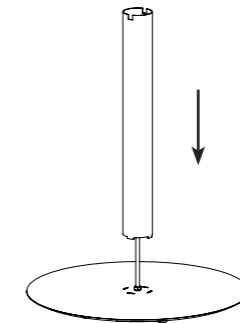
- 1** T-Table is available in 3 table heights. Make sure you combine the correct threaded rod with the correct leg. The threaded rod is a little bit longer than the leg. These components are packed together.



- 2** Place the base on a level surface and insert the threaded rod. Make sure the welded nut is facing downwards. Use the large washer. Make sure to tighten with a wrench.



- 3** Position the leg over the thread rod. Make sure it fits into the base. The 4 pins on the bottom side of the leg fit into 4 designated holes.



- 4** Position the top mount on the leg and fix with 1 x large washer and 1 x nut. Use a wrench to tighten with maximal force.

