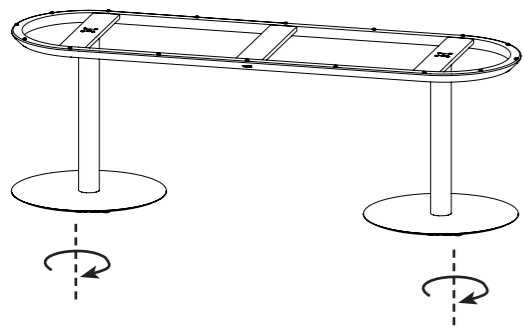
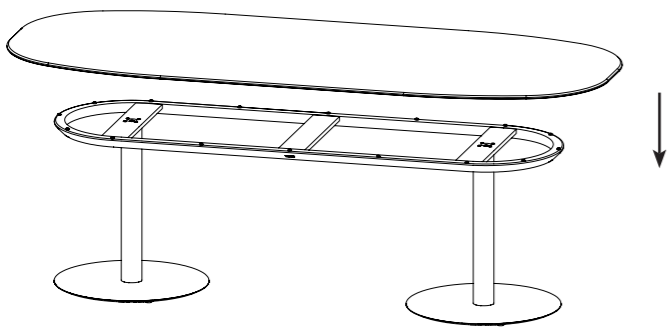


5 You can use the adjustable feet to level the table.



6 Put the tabletop on top of the assembly and make sure it is centered.



ASSEMBLY INSTRUCTIONS

T-Table

D2175-x-x / D2176-x-x

D2177-x-x / D2178-x-x

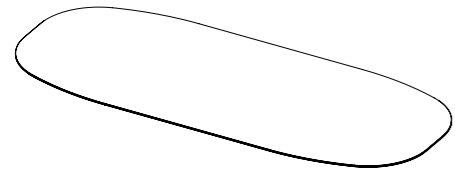
D2179-x-x / D2180-x-x

Tribù nv
Oude Heidestraat 72
3740 Bilzen
BELGIUM

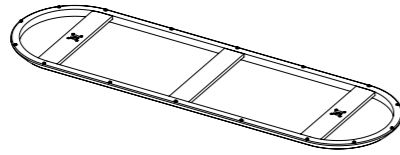
www.tribu.com
info@tribu.com

TRIBÙ
The art of leisure

CONTENT



1 x
Tabletop



1 x
Frame



2 x
Leg



2 x
Threaded rod



2 x
Base



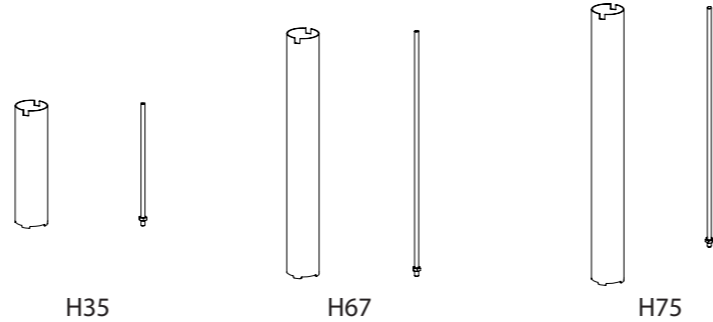
4 x
Large washer



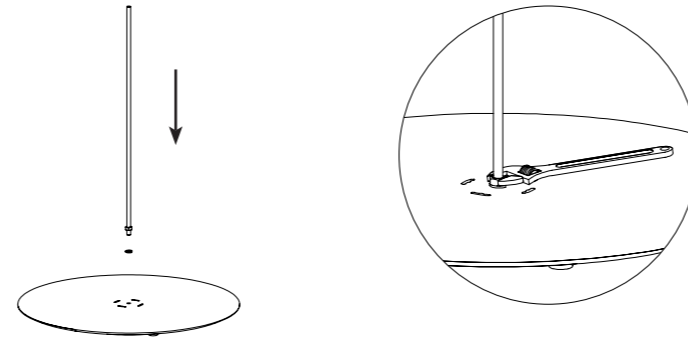
2 x
Nut

ASSEMBLY INSTRUCTIONS

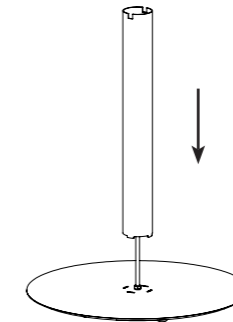
- 1** T-Table is available in 3 table heights. Make sure you combine the correct threaded rod with the correct leg. The threaded rod is a little bit longer than the leg. These components are packed together.



- 2** Place the base on a level surface and insert the threaded rod. Make sure the welded nut is facing downwards. Use 1x large washer. Make sure to tighten with a wrench.



- 3** Position the leg over the thread rod. Make sure it fits into the base. The 4 pins on the bottom side of the leg fit into 4 designated holes. Repeat this step for the 2nd base.



- 4** Position the top mount on the leg and fix with 1 x large washer and 1 x nut. Use a wrench to tighten with maximal force.

