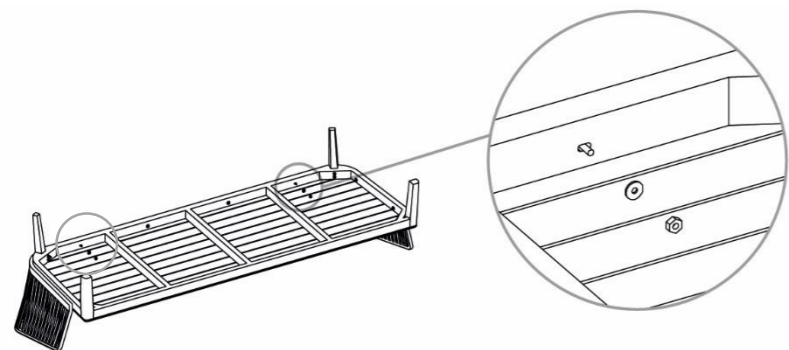
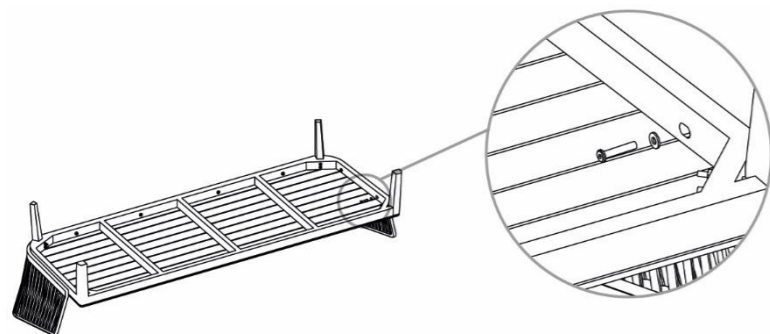


- 5** Attach the Back part to the seat part using 2 x small washer, 2 x small nut and an adjustable spanner. Do not forget to fix both threaded pins.



- 6** Use 6 x screw, 6 x small washer and an Allen key to connect the Back part to the Seat part on the front side of the chair.



Assembly instructions  
MOOD sofa 232 cm

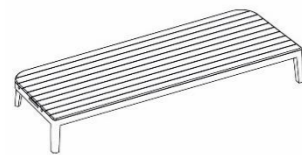
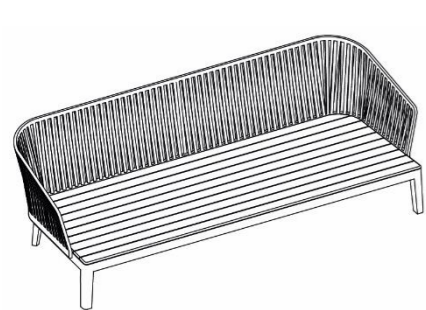
06209

Tribù nv  
Langendijkstraat 5a  
3690 Zutendaal  
BELGIUM

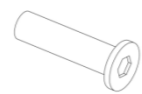
[www.tribu.com](http://www.tribu.com)  
[info@tribu.com](mailto:info@tribu.com)

**TRIBÙ**  
The art of leisure

## Content



1 x Seat



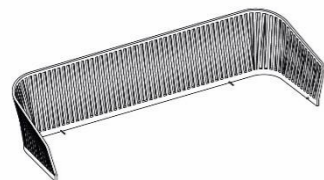
6 x screw



2 x small nut



8 x large nut



1 x Back



8 x large washer



8 x small washer

Required tools:



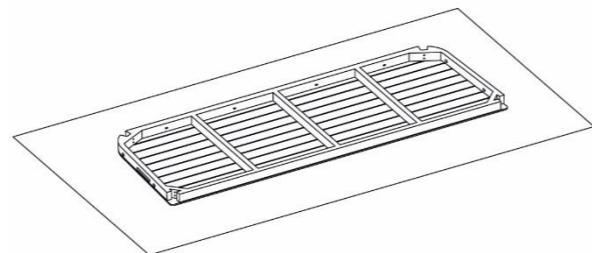
Allen key



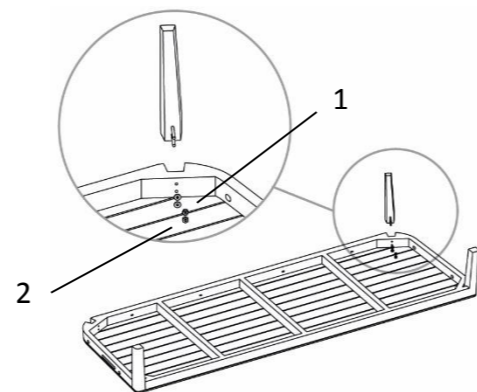
Adjustable spanner

## Assembly Instructions

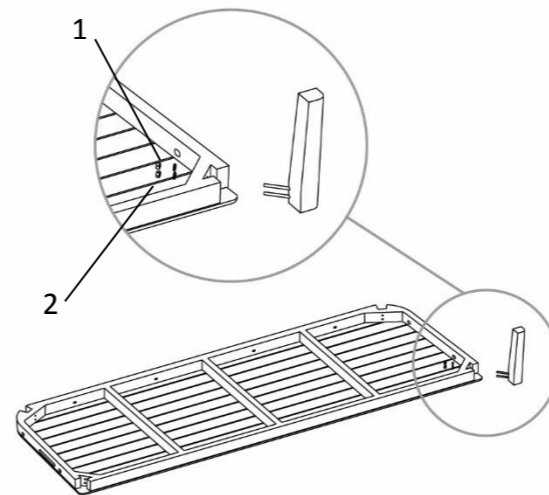
- 1** Position the seat upside down on a protective surface.



- 3** Assemble the back legs with 2 x large nut and 2 x large washer. Screw nut 1 first, than nut 2. Repeat for the other back leg.



- 2** Assemble the front legs with 2 x large nut and 2 x large washer. Screw nut 1 first, than nut 2. Repeat for the other front leg.



- 4** Slide the Back part onto the seat part. The Back part has 2 guiding pins (A) that fit into a designated slot in the Seat part. The Back part also has two threaded pins (B) that fit into a hole in the Seat part. Push the Back part firmly against the Seat part.

