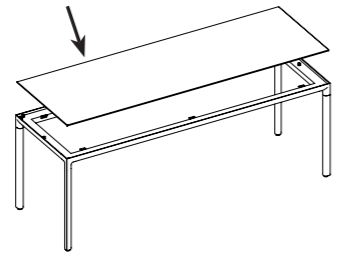
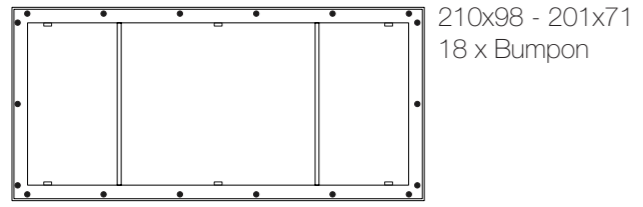
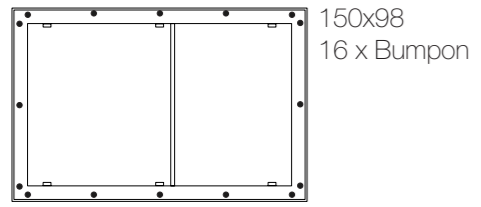
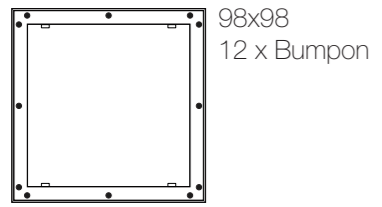


6 Place bumpons on the inside of the table frame. Divide as shown below and use the double sided tape to glue the bumpons to the tableframe. Then carefully place the ceramic top on the frame.



ASSEMBLY INSTRUCTIONS

**ILLUM DINING TABLES
ILLUM BAR TABLES**

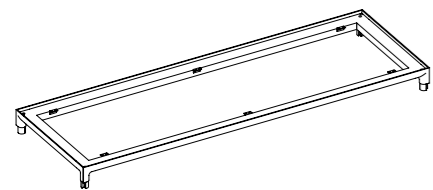
06573 - 06550 - 06552 - 06554
06552xs - 06554xs
06586 - 06587

Tribù nv
Oude Heidestraat 72
3740 Bilzen
BELGIUM

www.tribu.com
info@tribu.com



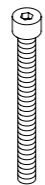
CONTENT



1 x
Table frame



Wood screw



8 x
Bolt

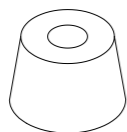


4 x
Short leg

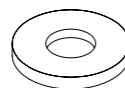
or



4 x
Long leg



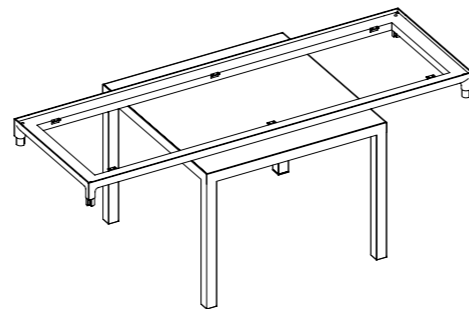
Bumpon



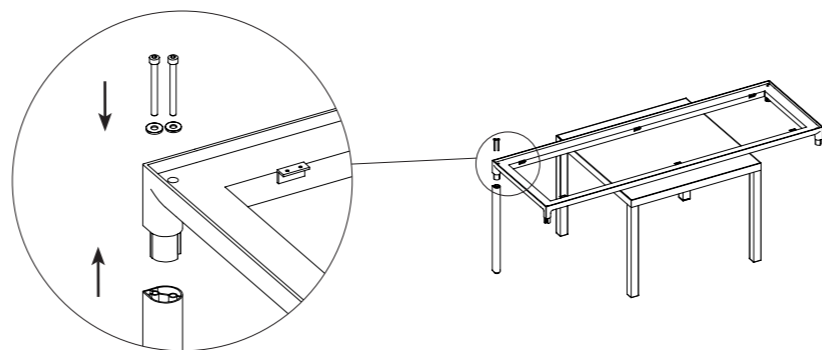
8 x
Washer

ASSEMBLY INSTRUCTIONS

- 1** Put the table frame on top of another table as shown in the picture below. Use a protective cloth to protect the table frame.

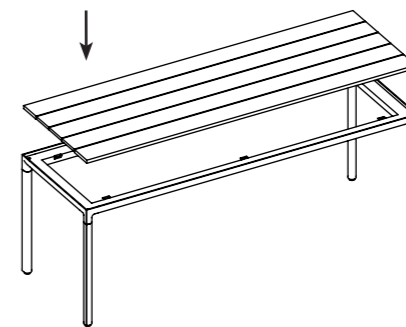


- 2** Take 1 x leg, 2 x bolt and 2 x washer. Repeat this for every leg. Screw the leg onto the table frame in an alternating way. Use long legs if you are assembling a bar table, short legs if you are assembling a dining table. Note that every leg has an adjustable glider so you can level the table.



- 3** For CERAMIC TOP, skip to step 6.
For TEAK TOP, continue to step 4.

- 4** Carefully place the teak top on the table. Do NOT use bumpons.



- 5** Fix the teak top using the wood screws.

