

Assembly instructions
BRANCH COFFEETABLES

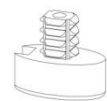
0768X-YY-ZZ

Tribù nv
Langendijkstraat 5a
3690 Zutendaal
BELGIUM

www.tribu.com
info@tribu.com

TRIBÙ
The art of leisure

Content



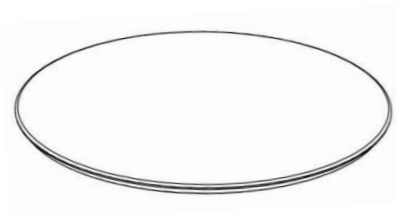
3/4 x glider



6/8 x short bolt



3/4 x long bolt



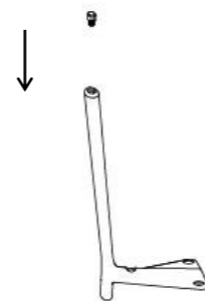
1 x Tabletop



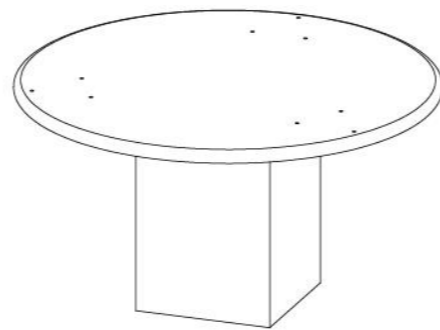
3/4 x leg

Assembly Instructions

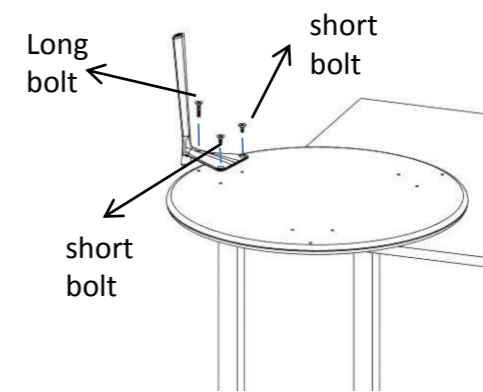
1 Put the gliders in place onto the legs of the coffee table.



2 Turn the tabletop upside down onto a support that is smaller than the tabletop. Place a cloth between the two surfaces in order to protect the tabletops.



3 Take one leg, 2 short bolts and 1 long bolt. First turn the screws in by hand. Then tighten the screws alternating using an Allen key.



ATTENTION
Do not use electrical equipment to tighten the bolts in the tabletop.



4 Repeat step 2 for the other 2 legs. The rectangular Branch coffee table has 4 legs. All other coffee tables have 3 legs.